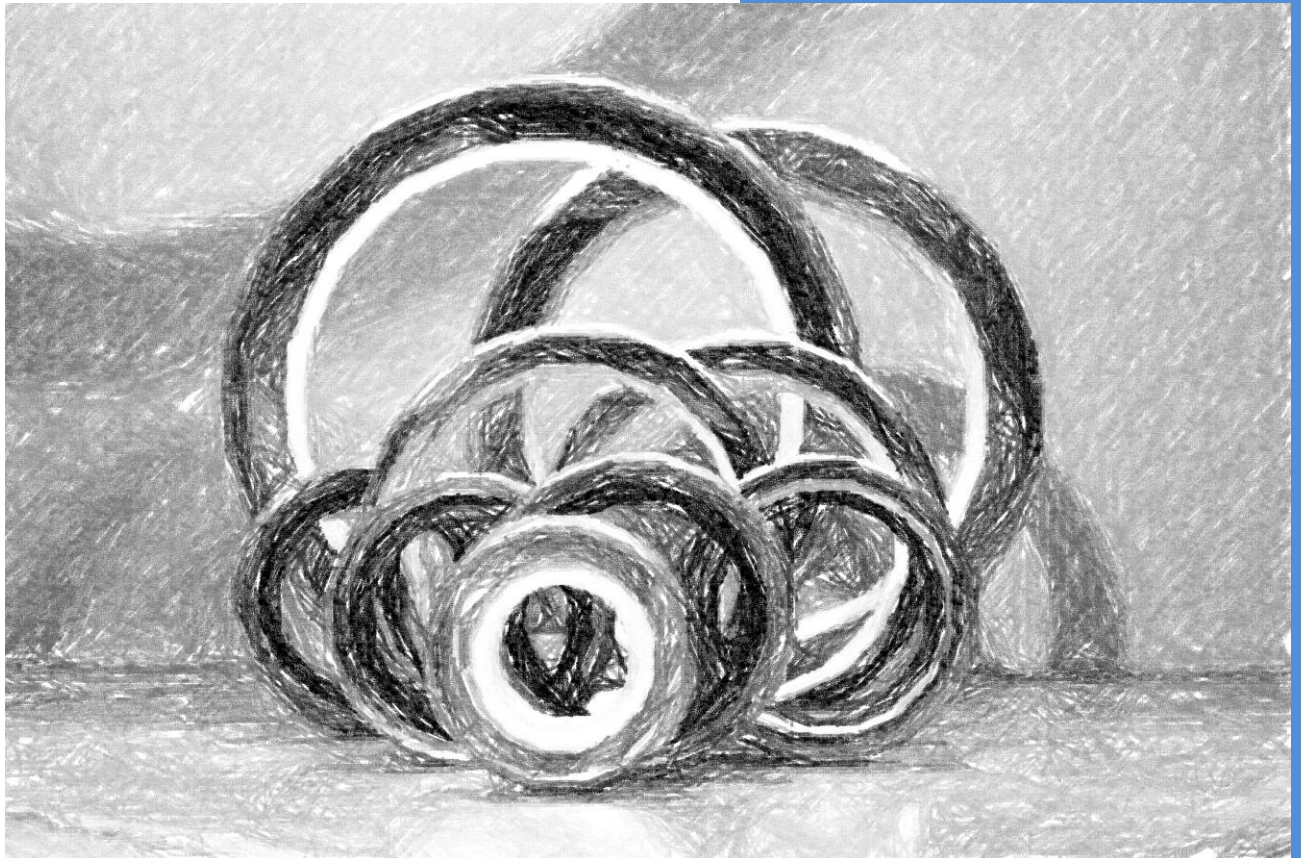




Technical Solutions s.r.l

Radial Lip Seal



Radial Lip Seal

PRODUCTION

TS s.r.l. designs and produces its own radial lip seal -TS-Seal -, by using Italian or European raw materials.

TOOLING

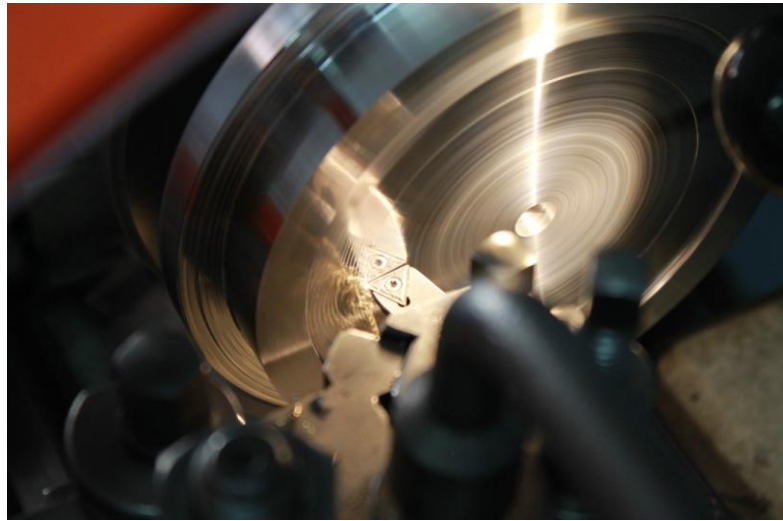
TS-Seal production requires using some tools, which are entirely manufactured in our work-shop.

OUR EQUIPMENTS

Our equipment has been projected to realize our TS-Seal up to 200 mm OD max.

First equipment is deforming metal disk creating seal casing and upper ring

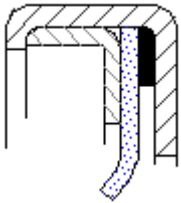
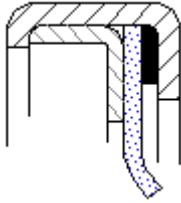
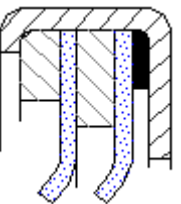
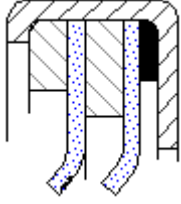
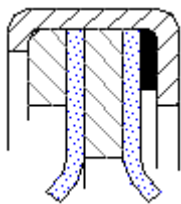
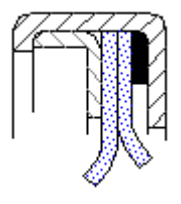
The second equipment is closing the TS-Seal and grinding it on OD. This operation will give us the final product that will be dimensionally inspected let it ready for packaging and shipping.



Radial Lip Seal

TYPE OF SEAL

Radial Lip Seal can be manufactured in different solutions, see following table:

STANDARD	CONFIGURATION	SPECIAL
	SINGLE LIP REVERSE LIP	
	TANDEM STD LIP TANDEM LIP WITH SPIN	
	BACK to BACK SINGLE LIP + DURST LIP	



MATERIALS

CASING: STAINLESS STEEL 316L

LIP: PTFE-COMPOUNDS

ELASTOMER: NBR-FKM-VQM-
EPDM

OPERATING CONDITIONS

PRESSURE: STD SEAL 10Bar

SPECIAL SEAL 25Bar

TEMPERATURE: -90/+250°C

SPEED: UP TO 40 m/sec.

EQUIPMENTS

SEPARATORS

SCREW COMPRESSORS

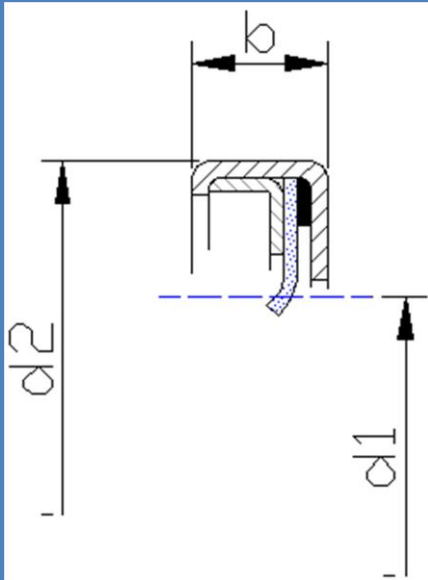
MIXER / AGITATORS

CENTRIFUGES / PUMP



Radial Lip Seal

STANDARD SEAL DIMENSIONS

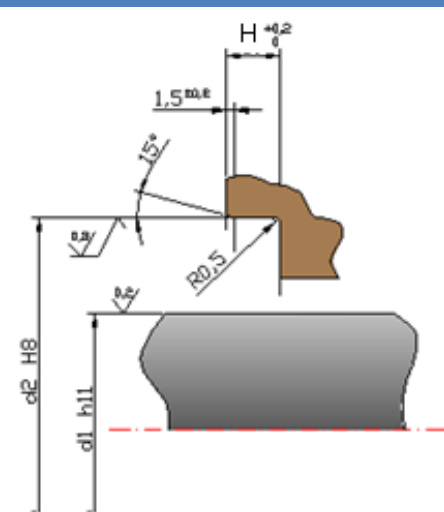


d1	d2	B	d1	d2	B
8.0	18.0	5.0	45.0	62.0	10.0
10.0	22.0	6.0	45.0	65.0	10.0
12.0	28.0	8.0	48.0	65.0	10.0
15.0	30.0	8.0	50.0	65.0	10.0
16.0	30.0	8.0	50.0	70.0	10.0
17.0	28.0	8.0	50.0	72.0	10.0
17.0	35.0	8.0	55.0	72.0	10.0
20.0	35.0	8.0	60.0	75.0	8.0
22.0	40.0	8.0	60.0	80.0	10.0
25.0	35.0	8.0	62.0	80.0	10.0
25.0	42.0	8.0	65.0	85.0	10.0
25.0	52.0	7.0	70.0	90.0	10.0
28.0	47.0	10.0	73.0	100.0	10.0
30.0	47.0	10.0	75.0	100.0	10.0
32.0	47.0	8.0	75.0	95.0	13.0
32.0	47.0	10.0	80.0	100.0	10.0
35.0	47.0	8.0	85.0	120.0	12.7
35.0	50.0	10.0	90.0	110.0	10.0
38.1	63.5	12.7	95.0	120.0	12.0
40.0	55.0	10.0	100.0	130.0	13.0
40.0	60.0	10.0	110.0	140.0	13.0
40.0	62.0	10.0	120.0	150.0	12.0
40.0	68.0	10.0	140.0	165.0	10.0
42.0	62.0	8.0	150.0	180.0	12.0
42.0	60.0	10.0			

ALL DIMENSIONS ARE IN mm
Other dimensions available
upon request

TECHNICAL DETAILS

Shaft hardness: up to 1,5 bar – min 45 HRC
above 1,5 bar – min 60 HRC
Surface roughness: 0,2Ra ÷ 0,4Ra



Legal address:

Via Pastrengo, 14 - 20841 Carate B.za (MB)
Tel. +39-0362991079 - Fax. +39-036800761
e-mail: info@technicalolutions.it
web: www.technicalolutions.it

Work Shop address:

Via Delle Cave, 7
20832 Desio (MB)



Technical Solutions s.r.l.